

NON-PROFIT JOINT STOCK COMPANY «ABYLKAS SAGINOV KARAGANDA TECHNICAL  
UNIVERSITY»

Architecture and Construction Faculty  
Architecture and Design Department

«APPROVED» by  
Executive Director of KSTU  
\_\_\_\_\_ Issagulov A.Z.  
«\_\_\_» \_\_\_\_\_ 2023

**REGULATION**  
on the creative entrance exam  
in the discipline «Drafting» for specialties  
6B07301 «Architecture»

Karaganda 2023

Regulation on the creative examination has been developed by senior teacher  
Abdildina Gulbanu Akhmetzhanovna

Discussed at the meetings of the department of «Architecture and design»

Minutes no.16 dated 03/23/ 2023

Acting head of the A&D Department \_\_\_\_\_ Donenbayev B.S.

## INTRODUCTION

Drafting is an academic subject included in the curriculum of secondary schools of the Republic of Kazakhstan, in which the basic principles of theory and practical methods of design, decoding of graphic images are studied, the ability to draw and competently carry out the design of drafting for a future designer specialist is the most important skill that determines the quality of his future training.

## EXAMINATION TASKS CONTENT

At the entrance creative drafting exam, the applicant is asked to draw a drafting of an object in A4 format: using a visual image of the part, draw dimensions according to the design rules for 3 projections (frontal, horizontal, profile), construct an axonometric projection of the part along the coordinate axes  $x$ ,  $y$ ,  $z$  (isometric or frontal-dimetric projection).

4 academic hours are allotted to complete the task. The work is carried out on A4 sheets issued by the admissions committee and equipped with a special stamp. The examination paper is encrypted and the author's surname is not written on the sheet. Works with a last name or any markings will not be evaluated.

## CRITERION OF THE WORK EVALUATION

The completed drafting is scored based on the following criteria:

**45 points.** The drafting is well laid out and designed. There are no errors in the construction of 3 projections of the part (frontal, horizontal profile), the projection relationship is observed. The axonometric projection of the part has been correctly constructed. Dimensions in the drafting and line types comply with the drafting design rules

**35-40 points.** The drafting is well laid out and designed. There are no errors in the construction of 3 projections of the part (frontal, horizontal, profile), the projection relationship is observed. Minor errors were made in constructing the axonometric projection of the part.

Dimensions in the drafting and line types comply with the drafting design rules.

**25-30 points.** The drafting has been compiled and designed. There are minor errors in the construction of 3 projections of the part (frontal, horizontal, profile), the projection relationship is observed. The axonometric projection of the object is not completed. Dimensions in the drafting and line types correspond to the rules for drafting, in general.

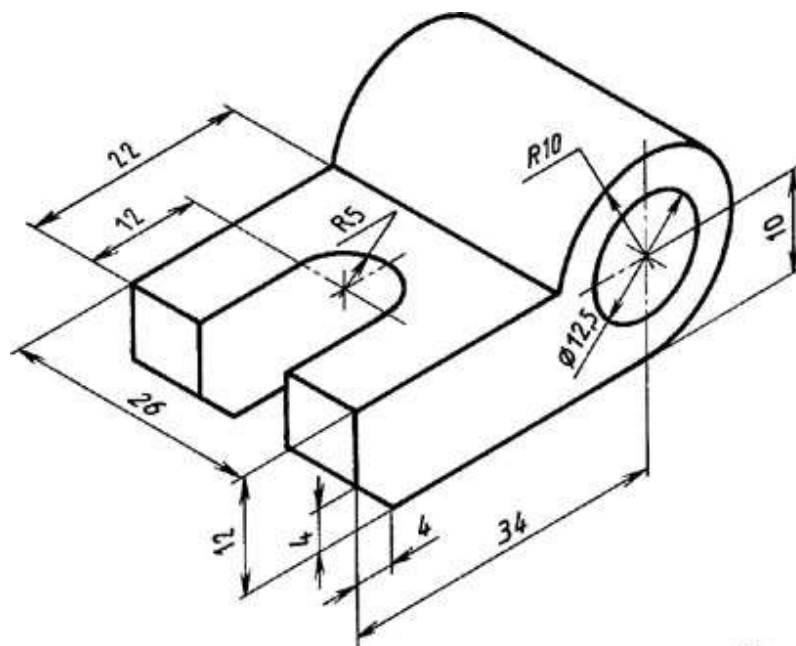
**15-20 points.** The drafting has been compiled and designed. 3 projections have been built (front horizontal, profile), but there are errors. There are some disturbances in projection communication. The axonometric projection of the object is not completed. There are errors in the dimensions in the drafting and in the line types.

**Less than 10 points.** The drafting is incorrectly arranged and formatted. 3 projections of the part were not built (frontal, horizontal, profile) There is no axonometric projection of the object. There are errors in the dimensions in the drafting and in the line types.

**20 points-** assessed by the student for a shortened form of study

**EXAMINATION TASK**  
**on the creative exam «Drafting»**  
**for specialties 6B07301 «Architecture»**

1. Graphic design in A4 format (frame, title block);
2. According to the visual image of the part, perform with drafting dimensions, according to the rules for drawing up drafting 3 projections (frontal, horizontal, profile);
3. Construct an axonometric projection (isometric or frontal-dimetric projection) along the coordinate axes  $x$ ,  $y$ ,  $z$ .



Поводок

**LIST OF LITERATURE RECOMMENDED**

1. Esmukhan Zh.M. Drafting: Textbook for 9th grade of secondary schools, - Almaty: «Mektep» Publishing house. 2005 128 p.
2. Cards - drafting tasks: 9th grade: / BB. Stepanova, L.N. Anissimova V.A. Gerver etc.; Ed. V.V. Stepakova. - M.: Education, 2000. - 64 p., ill.